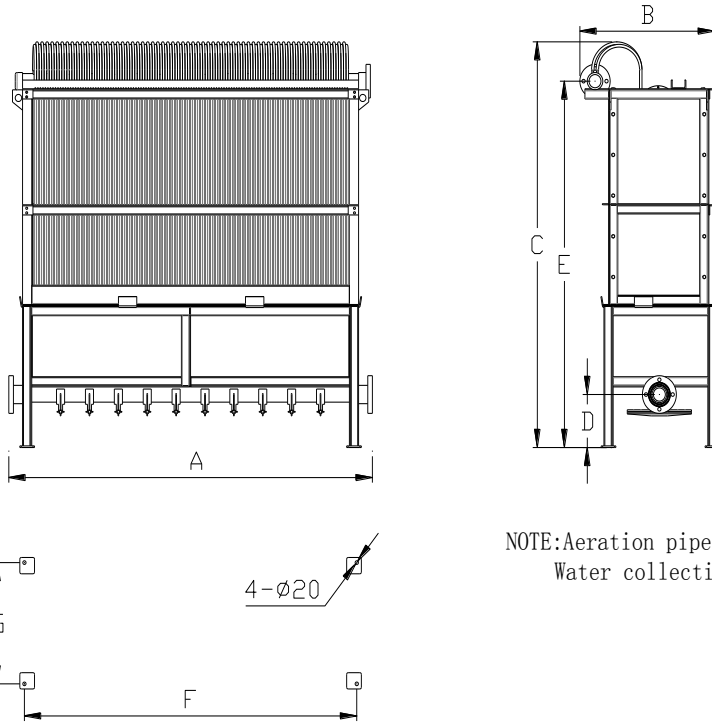


**Flat sheet MBR (FMBR) module**

*Application : Domestic sewage 、 Pharmaceutical wastewater 、 Landfill Leachate 、 Industrial wastewater 、 Steel cold rolling wastewater 、 Municipal wastewater*

**Single-deck FMBR module**



NOTE:Aeration pipe flange DN65  
Water collection pipe DN50

Module	Membrane area	Permeate flux	Air flow rate	A	B	C	D	E	F	G	Weight
	(m <sup>2</sup> )	(m <sup>3</sup> /d)	(l/min)	(mm)	(mm)	(mm)	(mm)	(mm)	(mm)	(mm)	kg
FMBR80-25	20	8~12	250	600	740	1750	260	1660	430	596	220
FMBR80-50	40	16~24	500	945					775		320
FMBR80-75	60	24~36	750	1290					1120		410
FMBR80-100	80	32~48	1000	1635					1465		510
FMBR80-125	100	40~60	1250	1980					1810		600
FMBR80-150	120	48~72	1500	2325					2155		710
FMBR80-175	140	56~84	1750	2675					2505		820
FMBR80-200	160	64~96	2000	3020					2850		1150